



1LS56



Actual product appearance may vary.

Enclosed Switches Series LS: Side Rotary - Lever Not Included; 1NC 1NO SPDT Snap Action, Double Break; 0.5 in - 14NPT conduit; Compact/Non-Plug-in

Features

- Mode of operation is field adjustable
- NEMA 1, 3, 4, 6, and 13
- Wide choice of heads and actuators
- Variety of operating characteristics
- Captive screws
- UL and CSA approved parts available

Potential Applications

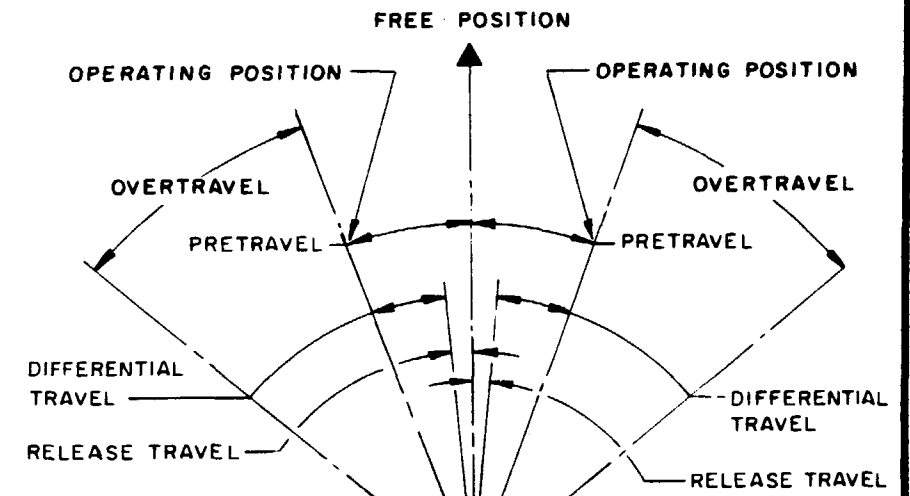
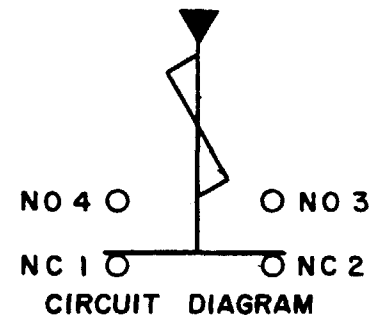
- Machine tools
- Conveyors
- Material handling
- Metal fabrication equipment
- Lift trucks

Description

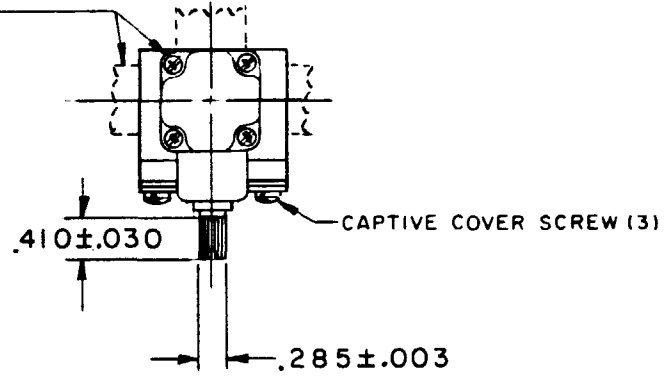
MICRO SWITCH™ compact LS and plug-in 200LS limit switches have a long record of successful performance in industrial applications. The MICRO SWITCH™ LS fits in many places too small for any other fully adjustable limit switch. The MICRO SWITCH™ 200LS switches are the original plug-in concept for reducing downtime by making changeover simple and fast.

Product Specifications	
Availability	Global
Operating Force (O.F.)	0.11 N m max. [1 in lb max.]
Release Force (R.F.)	0.02 N m min. [3 in oz min.]
Pretravel (P.T.)	5° max.
Overtravel (O.T.)	30° min.
Product Type	MICRO SWITCH™ Compact Limit Switches
Actuator	Side Rotary
Lever Style	Lever Not Included - Reference Lever Required Accessory
Circuitry	1NC 1NO SPDT Snap Action, Double-Break
Ampere Rating	10 A Ind.

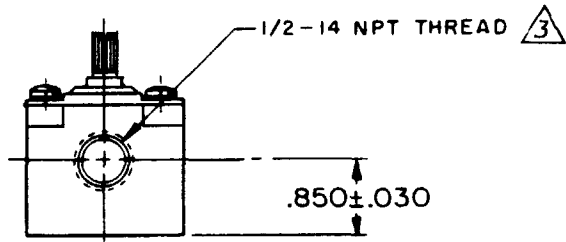
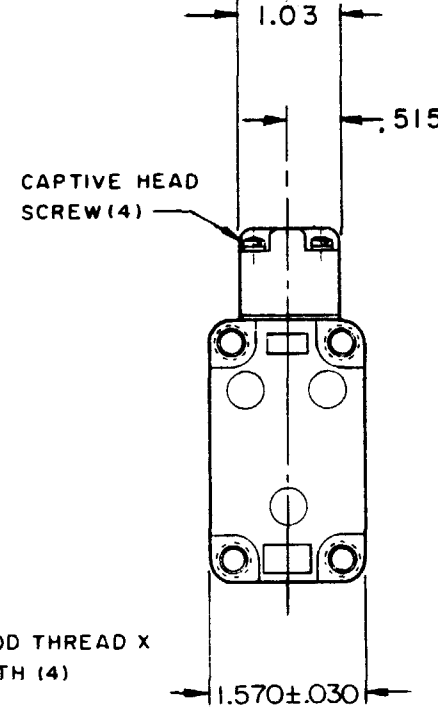
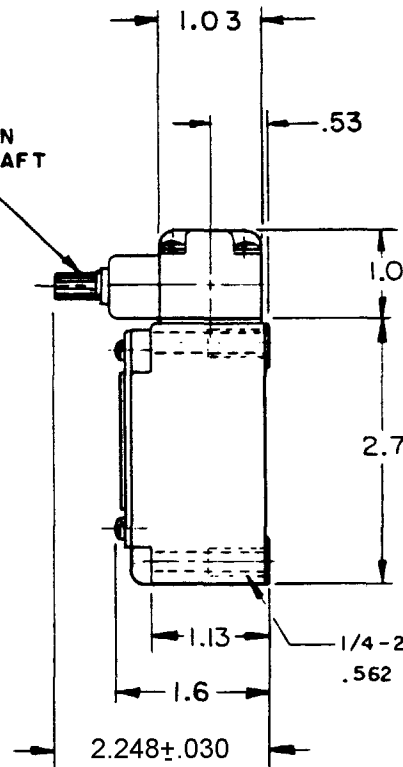
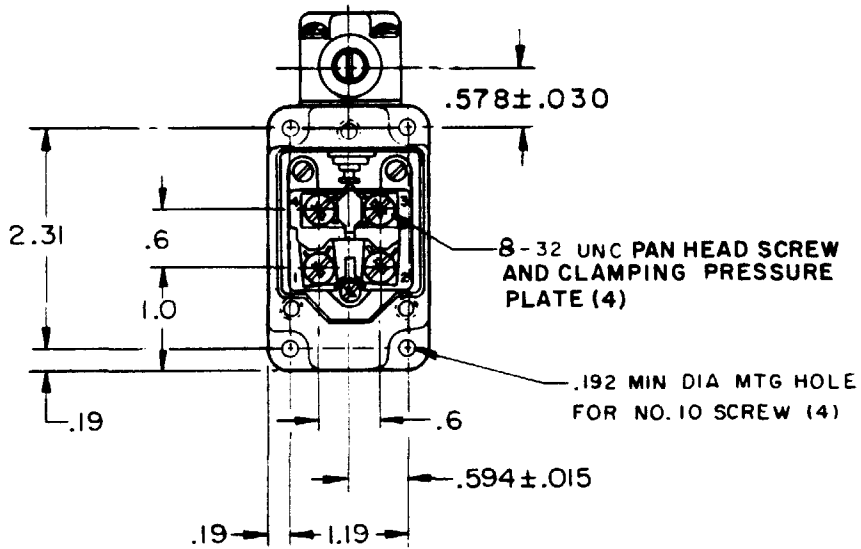
Supply Voltage	120 Vac. 240 Vac. 480 Vac
Housing Material	Zinc Die-Cast
Termination Type	0.5 in - 14NPT conduit
Housing Type	Compact / Non Plug-In
Series Name	LS
Sealing	NEMA 1, 3, 4, 6, 13
Operating Temperature Range	-29 °C to 71 °C [-20 °F to 160 °F]
Comment	Low Pretravel and Operating Force
UNSPSC Code	302119
UNSPSC Commodity	302119 Switches and controls and relays
Sealed	Industrial



OPERATING HEAD MOUNTS
 IN ANY OF FOUR
 POSITIONS



HARDENED CORROSION
 RESISTANT STEEL SHAFT
 STRAIGHT KNURL



THIS DRAWING COVERS A PROPRIETARY ITEM AND IS THE PROPERTY OF MICRO SWITCH, A DIVISION OF MINNEAPOLIS-HONEYWELL REGULATOR CO. THIS DRAWING IS NOT TO BE COPIED OR USED WITHOUT THE APPROVAL OF MICRO SWITCH.

CHARACTERISTICS	ELECTRICAL DATA	SCALE 1/2 TO 1
OPERATING TORQUE — — 15 IN OZ MAX	CONTACT ARRANGEMENT (SEE CIRCUIT DIAGRAM)	DO NOT SCALE PRINT
RELEASE TORQUE — — — 3 IN OZ MIN	10A - 120, 240 OR 480 VAC 1/4 HP - 120 VAC; 1/2 HP - 240 VAC PILOT DUTY: 600 VAC MAX	UNLESS OTHERWISE NOTED
PRETRAVEL — — — — 5° MAX		DIMENSIONS ARE IN INCHES
OVERTRAVEL — — — — — 30° MIN		TOLERANCES ARE:
RELEASE TRAVEL — — — — 0° 30' MIN		ONE PLACE (.) ±.030
SWITCH-BASIC REPLACEMENT — — — 2 MN8		TWO PLACE (.00) ±.015
		THREE PLACE (.000) ±.005
		ANGLES ±
		WEIGHT

NOTES

- SWITCH IS ASSEMBLED FOR ACTUATION IN EITHER DIRECTION BUT MAY BE ADJUSTED TO ACTUATE THE SWITCH IN THE CLOCKWISE DIRECTION ONLY. THE COUNTERCLOCKWISE DIRECTION ONLY, OR IN BOTH DIRECTIONS
 - TO CONVERT SWITCH FOR ACTUATION IN EITHER THE CLOCKWISE OR COUNTERCLOCKWISE DIRECTION ONLY, REMOVE ACTUATOR HEAD AND ROTATE THE NOTCHED PLUNGER 90° TO THE RIGHT FOR CLOCKWISE ACTUATION OR 90° TO THE LEFT FOR COUNTERCLOCKWISE ACTUATION
- ⚠ SEAL TO BE FURNISHED BY USER

CATALOG LISTING
1LS56
 PAGE 1 OF 1

ISSUE
M
 11

REVISIONS

A	CO15200	N B F	18 JUNE 65
B	CO80324		
C	CO25403		
D	CO25152		
E	CO50952-G		
F	CO53005-D		
G			
H	202823		

FO-80378-003

RASTER

REPLACES
 WCS 21 JUN 65
 WRA 21 JUN 65
 WJA 21 JUN 65
 WSD 21 JUN 65
 WLD 21 JUN 65
 WLD 21 JUN 65
 WLD 21 JUN 65